



[HOME](#) | [ABOUT US](#) | [NEWS](#) | [CONTACT US](#)

Search By Part number

Check stock by region

GO

GO

[PRODUCTS](#)

[CUSTOM CAPABILITIES](#)

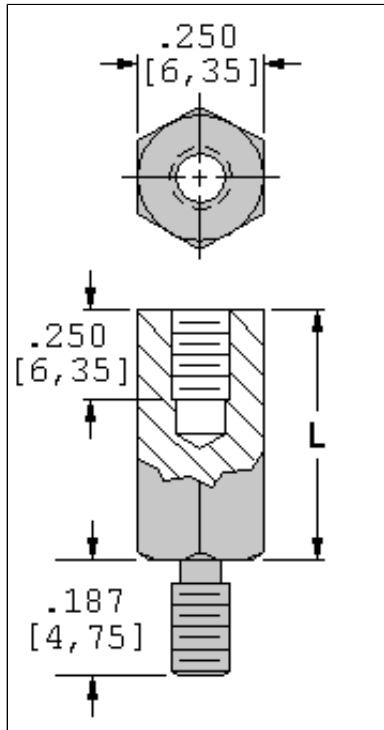
[PART BUILDER](#)

[GLOBAL DISTRIBUTION](#)

[ORDER ONLINE](#)

.250 [6,35] Hex Male/Female Standoffs

4-40 Threads - Stainless • Brass • Aluminum

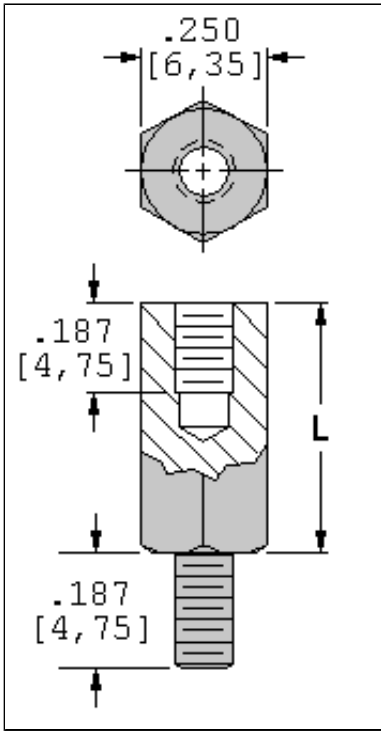


4-40 Threaded Standoffs			
Length "L"	Stainless Steel	Brass Nickel Plate	Aluminum Clear Iridite
Inches [mm]	Cat. No.	Cat. No.	Cat. No.
† .250 [6,35]	8712	8713	8714
.375 [9,53]	2087	7200	8400
.500 [12,70]	2088	1944	8401
.625 [15,87]	2089	1945	8402
.750 [19,05]	2090	1946	8403
.875 [22,23]	2091	7201	8404
1.000 [25,40]	2092	1947	8405
1.125 [28,58]	2093	7202	8406
1.250 [31,75]	2094	1948	8407
1.375 [34,93]	2095	1949	8408
1.500 [38,10]	2096	1950	8409
1.625 [41,28]	2097	7203	8410
1.750 [44,45]	2098	7205	8411
2.000 [50,80]	2099	1951	8412
† .140 [3,56] Internal Thread Depth			

[Click to Request Samples](#)

VIEW PRODUCT OVERVIEW

4-40 Threads - Nylon



4-40 Threaded Standoffs	
Nylon	Length "L"
Cat. No.	Inches [mm]
4800	.250 [6,35]
4801	.375 [9,53]
4802	.500 [12,70]
4803	.625 [15,87]
4804	.750 [19,05]
4805	.875 [22,23]
4806	1.000 [25,40]
4807	1.125 [28,58]
4808	1.250 [31,75]
4809	1.375 [34,93]
4810	1.500 [38,10]
4811	1.625 [41,28]
4812	1.750 [44,45]
4813	2.000 [50,80]

[Click to Request Samples](#)

[VIEW PRODUCT OVERVIEW](#)

© 2005 Keystone Electronics Corp. | 31-07 20th Road | Astoria, NY 11105 | 718-956-8900 | 800-221-5510 | 718-956-9040
 fax | www.keyelco.com